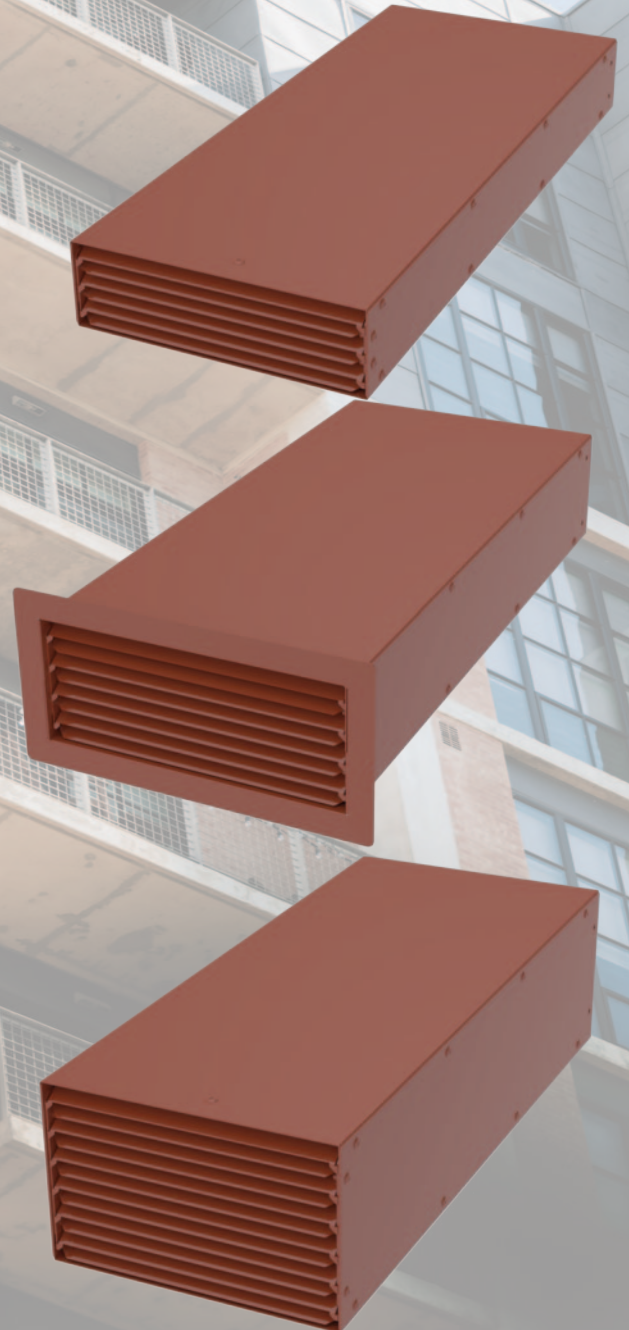


Fire Rated Air Bricks



*ventilation
systems*

galvanised sheet steel
powder coated
to Classification A2-s1, d0
Registered Designs



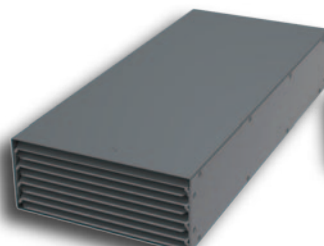
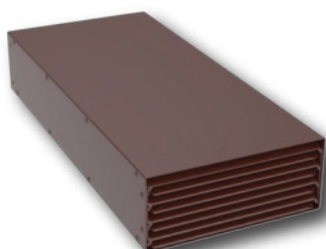


Fire Rated Air Bricks

Features and Benefits

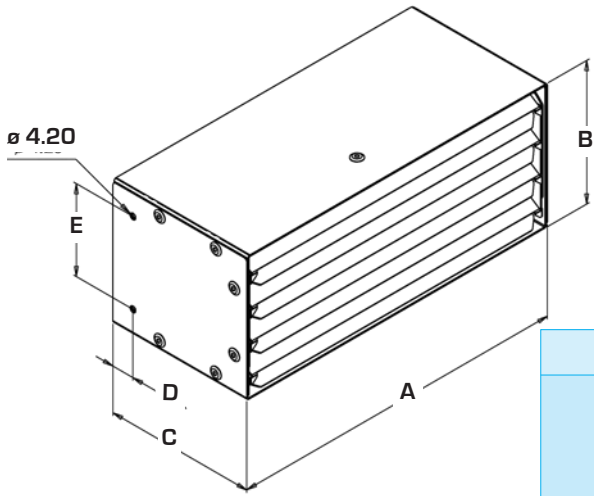


- ★ High performance non-combustible terminals designed for low resistance use with powered mechanical ventilation
- ★ Non-combustible as set out in Approved Document B (fire safety) Volume 1: Dwellings, 2019 Edition
- ★ Manufactured from 0.9mm electro-galvanised sheet steel, fire class A1 "no contribution to fire"
- ★ Polyester powder coating meeting EN13501-1 classification A2-s1,d0
- ★ Very low airflow resistance
- ★ Available in three sizes in 500mm and 100mm lengths
 - 204mm x 60mm
 - 220mm x 90 mm
 - 208mm x 130 mm
- ★ Non-bezelled or bezelled
- ★ Bezelled models suitable for exterior cladding
- ★ Metal ducting available in standard 500mm length. Custom lengths available on request
- ★ Metal straight, 45° and 90° connectors in all three sizes
- ★ Available in 5 colours:
 - brown - RAL8016
 - white - RAL9016
 - terracotta - RAL8004
 - grey - RAL7012
 - beige - RAL1001Custom colours on request
- ★ Blades integral with firebrick - therefore will not loosen
- ★ Performance tested to BS EN13141-2:2010
- ★ Rated and tested to IPX3 against water ingress
- ★ Corrosion resistant - salt spray tested to ISO9227:2022, ASTM B117-19
- ★ Designed to fit into walls during building works
- ★ **Free Areas:**
 - **204x60 size - 11,007 mm², 90% free area**
 - **220x90 size - 18,222 mm², 92% free area**
 - **208x130 size - 24,660 mm², 91% free area**
- ★ All models are Registered Designs:
 - FRAB204x60 - Registered Design No: 6261188
 - FRAB204x60x100 - Registered Design No: 6263780
 - FRAB204x60B - Registered Design No: 6261189
 - FRAB204x60x100B - Registered Design No: 6263781
 - FRAB220x90 - Registered Design No: 6261190
 - FRAB220x90x100 - Registered Design No: 6263782
 - FRAB220x90B - Registered Design No: 6261191
 - FRAB220x90x100B - Registered Design No: 6263783
 - FRAB208x130 - Registered Design No: 6261192
 - FRAB208x130x100 - Registered Design No: 6263784
 - FRAB208x130B - Registered Design No: 6261193
 - FRAB208x130x100B - Registered Design No: 6263785
- ★ Made in the UK

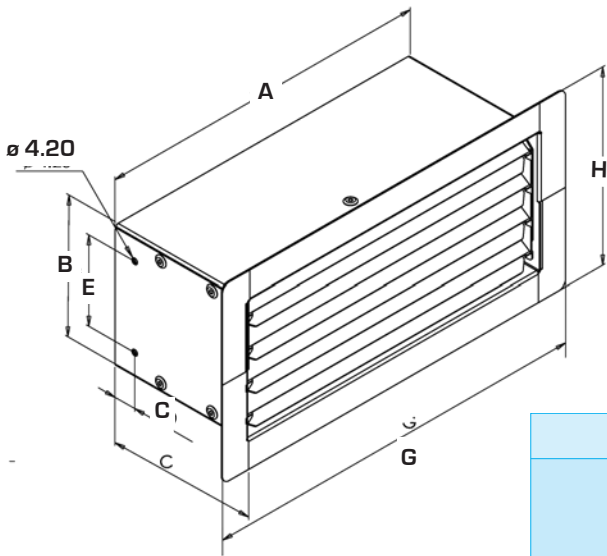


Fire Rated Air Bricks

Dimensions (mm)



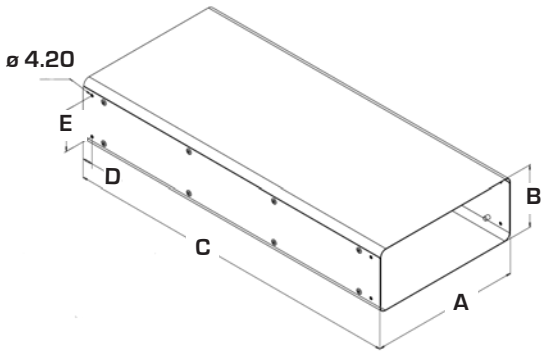
Standard Fire Rated Air Brick						
	FRAB 204x60 (100mm)	FRAB 204x60 (500mm)	FRAB 220x90 (100mm)	FRAB 220x90 (500mm)	FRAB 208x130 (100mm)	FRAB 208x130 (500mm)
A	208.6		224.6		212.6	
B	62.8		92.8		132.8	
C	100	500	100	500	100	500
D	15		15		10	
E	30		60		75	



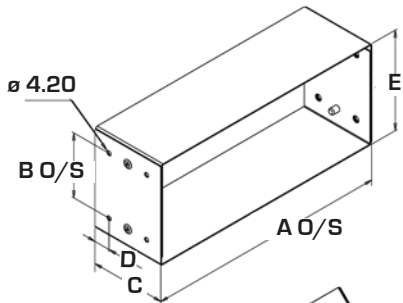
Bezelled Fire Rated Air Brick						
	FRAB 204x60B (100mm)	FRAB 204x60B (500mm)	FRAB 220x90B (100mm)	FRAB 220x90B (500mm)	FRAB 208x130B (100mm)	FRAB 208x130B (500mm)
A	208.6		224.6		212.6	
B	62.8		92.8		132.8	
C	100	500	100	500	100	500
D	15		15		10	
E	30		60		75	
G	245		261		249	
H	101		131		171	

Fire Rated Air Bricks

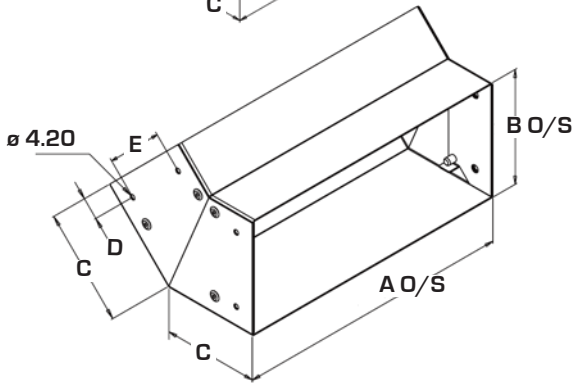
Dimensions - Accessories (mm)



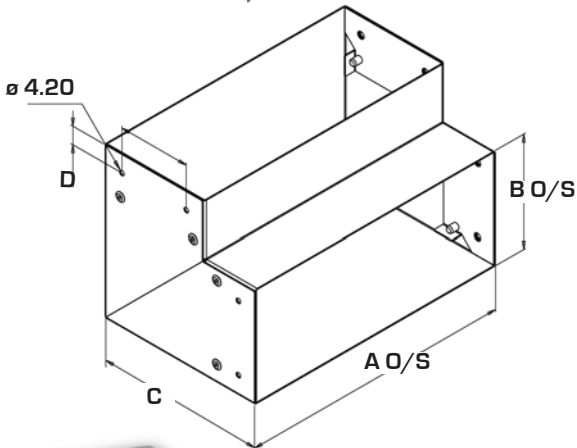
Duct - 500 mm			
	FR204x60D	FR220x90D	FR208x130D
A	204	220	208
B	60	90	130
C	500	500	500
D	15	15	20
E	30	60	75



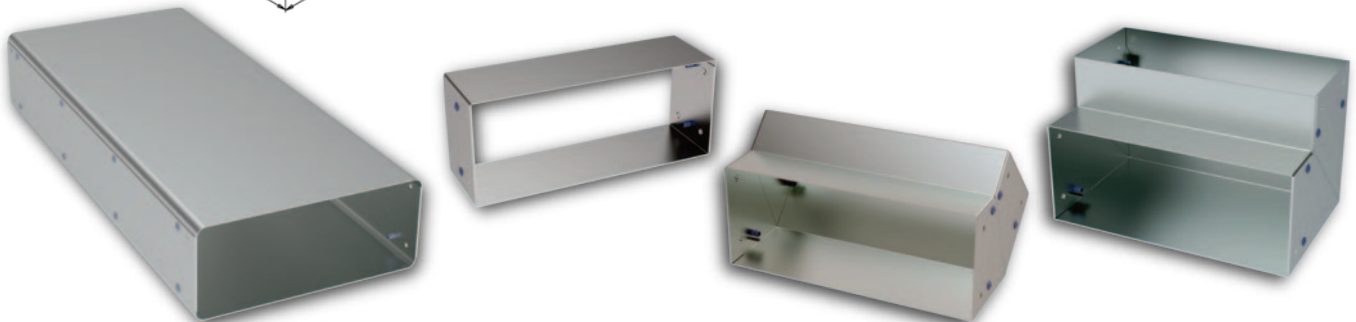
Connector - Straight			
	FR204x60C	FR220x90C	FR208x130C
A	209	225	213
B	63	93	133
C	70	70	70
øD	15	15	10
E	30	60	75



Connector - 45° Bend			
	FR204x60B45	FR220x90B45	FR208x130B45
A	209	225	213
B	63	93	133
C	66	78	95
D	15	15	10
E	30	60	75



Connector - 90° Bend			
	FR204x60B90	FR220x90B90	FR208x130B90
A	209	225	213
B	63	93	133
C	110	140	180
D	15	15	10
E	30	60	75

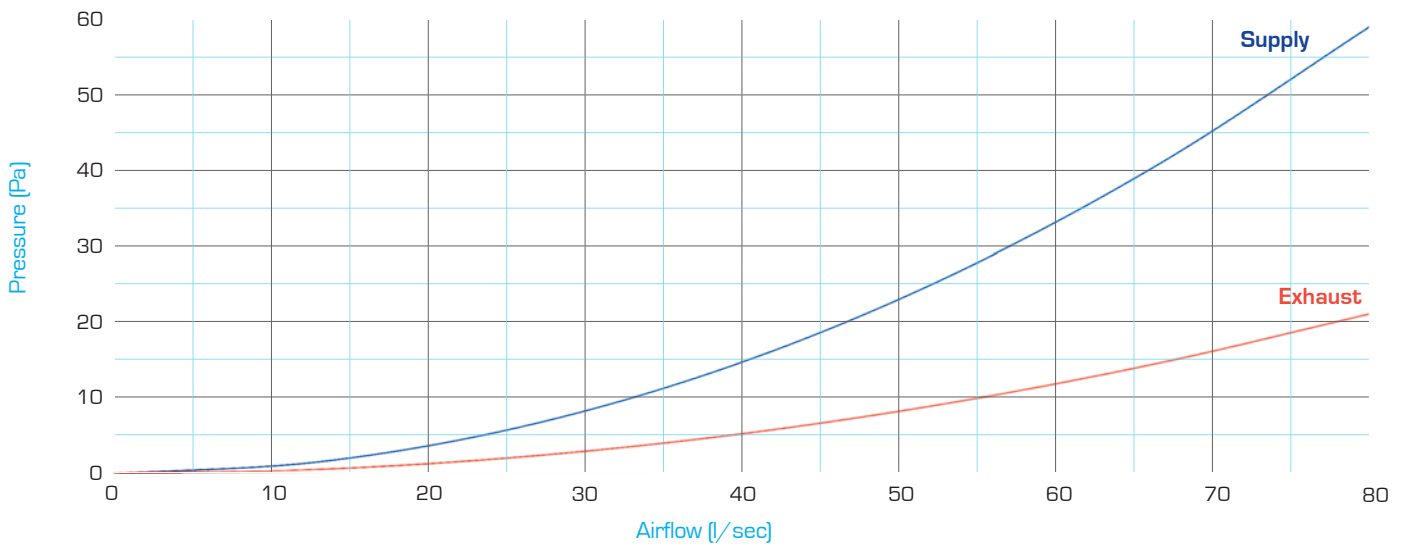


Fire Rated Air Bricks

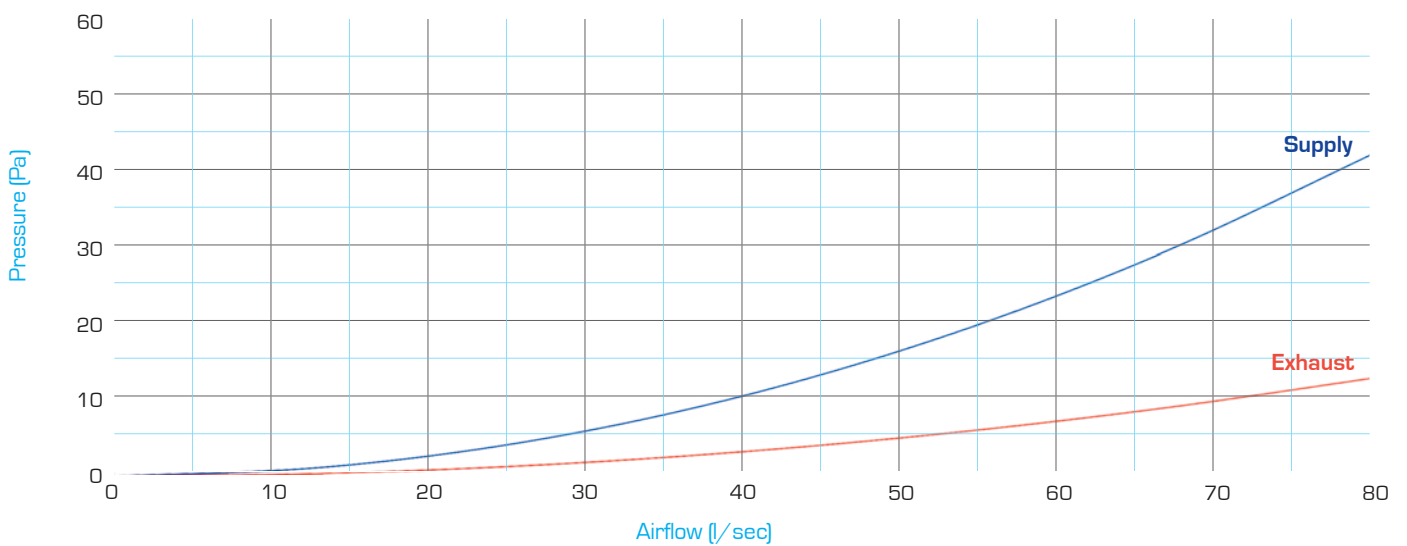
Performance



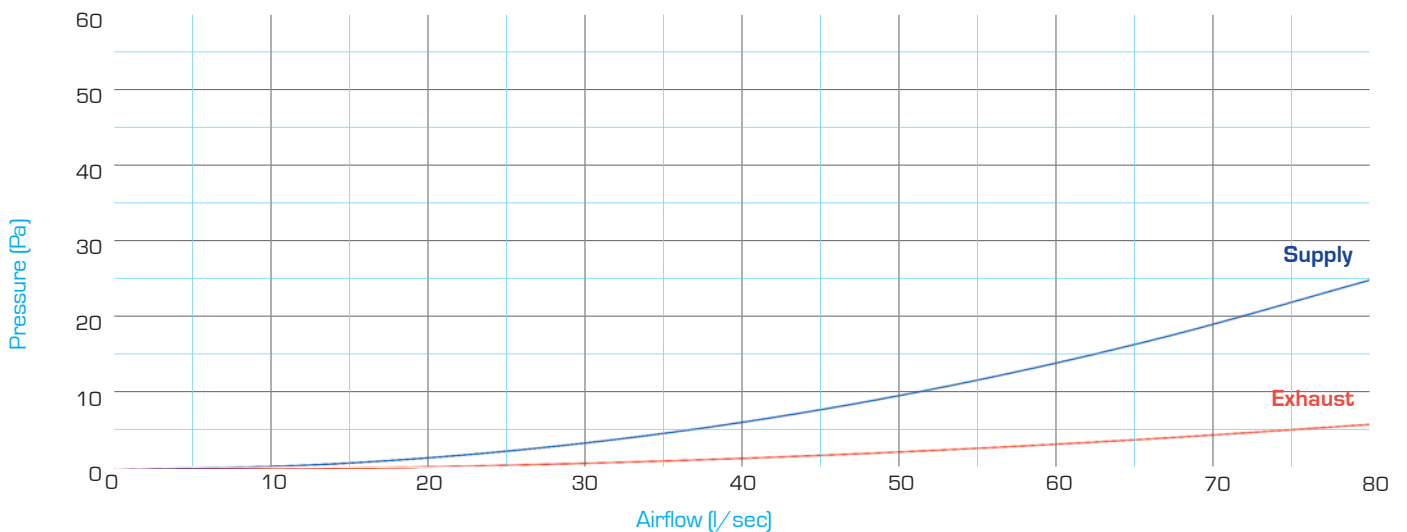
FRAB204x60

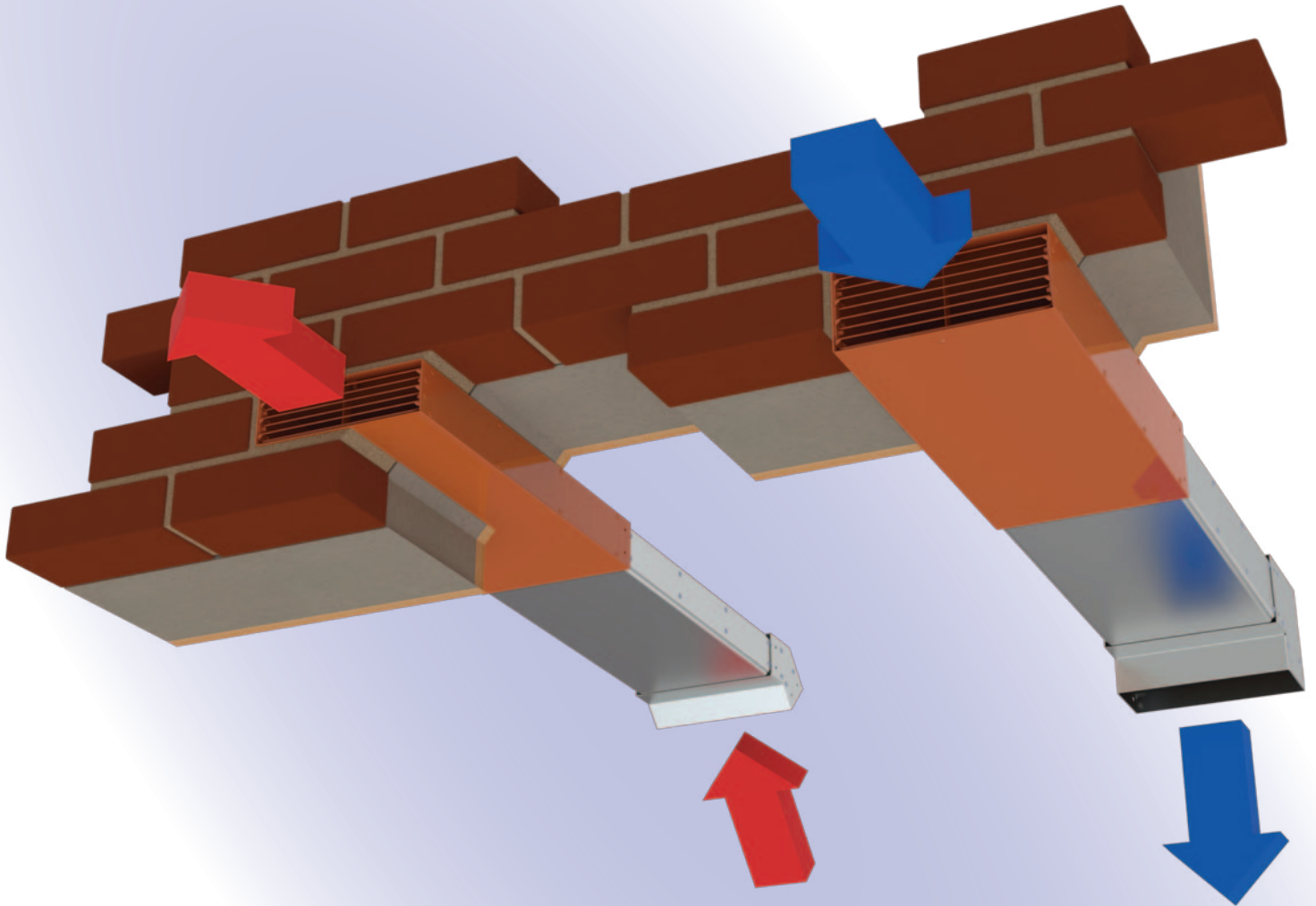


FRAB220x90



FRAB208x130





Vectaire Ltd

Lincoln Road
Cressex Business Park
High Wycombe
Buckinghamshire
HP12 3RH

Tel: +44(0)1494 522333
Fax: +44(0)1494 522337

Email: sales@vectaire.co.uk
Web: www.vectaire.co.uk

